

FLAT WASHER, 1/2 USS, BLCK

2-2903 NYLOC NUT, 1/2-13,G8,BLK

1-0812 EYEBOLT, 1/2-13X3.25" LONG, BLCK

1-0812 EYEBOLT, 1/2-13X3.25" LONG, BLCK

FLAT WASHER, 1/2 USS, BLCK

1-0812 EYEBOLT, 1/2-13X3.25" LONG, BLCK

FLAT WASHER, 1/2 USS, BLCK

FLAT WASHER, 1/2 USS, BLCK

2-2903 NYLOC NUT, 1/2-13,G8,BLK

1-0810 SUSPENSION  
TUBE

2-2903 NYLOC NUT,  
1/2-13,G8,BLK

FLAT WASHER,  
1/2 USS, BLCK

FLAT WASHER, 1/2 USS, BLCK

2-2903 NYLOC NUT, 1/2-13,G8,BLK

1-0812 EYEBOLT, 1/2-13X3.25" LONG, BLCK

FLAT WASHER,  
1/2 USS, BLCK

39.00

2.00

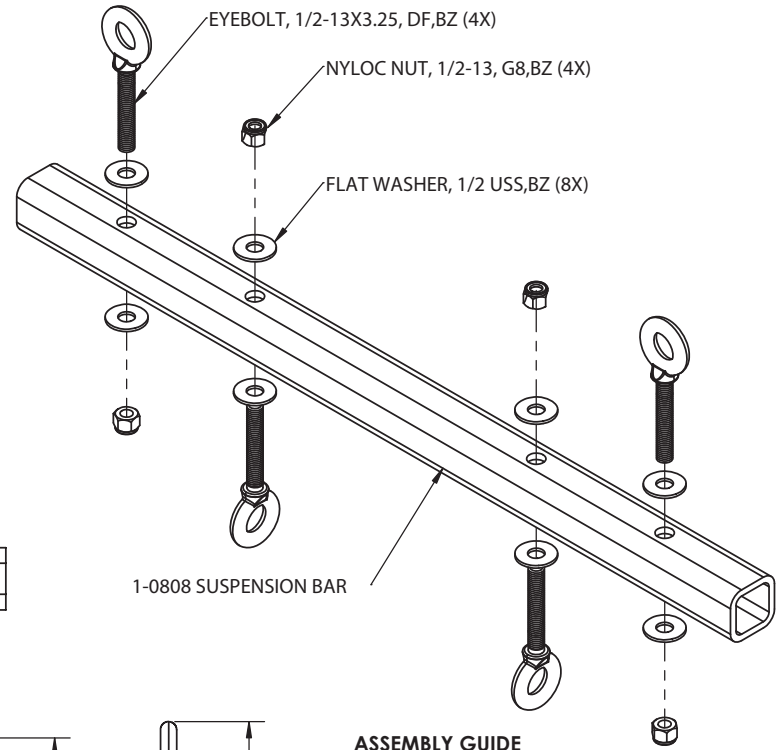
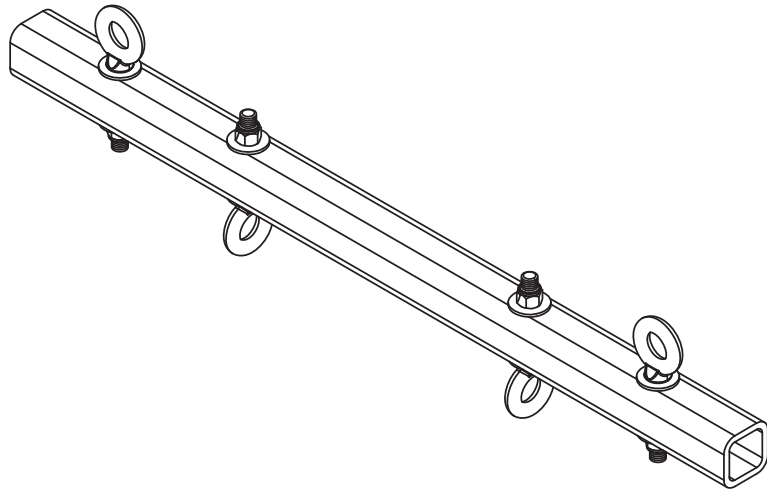
6.65

50.63

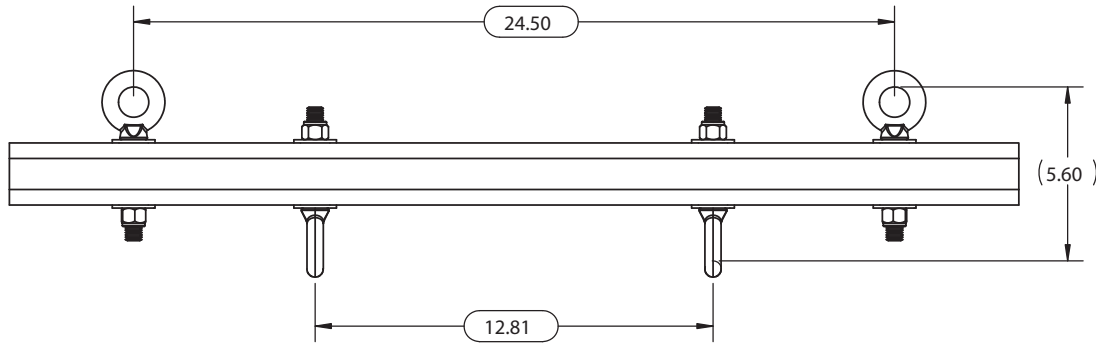
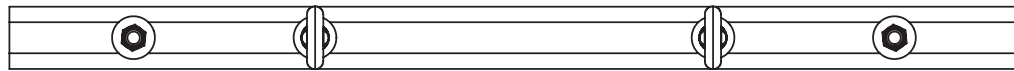
Notes:  
Unless Otherwise Specified

1. MATERIAL:
1. 1-0810 SUSPENSION TUBE, 57" LONG (1 PC)
  2. EYEBOLT, 1/2-13 X 3.25" LONG , BLACK ZNC (4 PCS)
  3. FLAT WASHER, 1/2 USS, BLACK ZNC (8 PCS)
  4. NYLOC NUT, 1/2-13, GRADE 8, BLACK ZINC
2. PACKAGING:
1. 1-0026 PRODUCT LABEL, .75 X 4" YELLOW, PL12-SB
  2. PACKAGE LABEL, 2X11 PL12-SB
  3. POLYTUBE, 4" WIDE X 4 MIL, 60" LONG
  4. POLY BAG, 4X7X4MIL
  5. CARTON, 62.5X7.5X2.5 RETT OR 5 PNL

UNLESS OTHERWISE SPECIFIED:			
DIMENSIONS ARE IN INCHES			
TOLERANCES:		TITLE:	
FRACTIONAL ± 1/64		HS-12 Rigging Hanging Set	
ANGULAR: MACH ± 5°		NEXT ASSY:	
TWO PLACE DECIMAL ± .03		USED ON:	
THREE PLACE DECIMAL ± .01		SIZE DWG. NO. REV	
INTERPRET GEOMETRIC TOLERANCING PER:		B 1-HS-12 00	
MATERIAL:		SCALE: 1:8 WEIGHT: 27.81LBS SHEET 1 OF 1	
FINISH:			
DO NOT SCALE DRAWING			



**ASSEMBLY GUIDE**



UNLESS OTHERWISE SPECIFIED:			
DIMENSIONS ARE IN INCHES			
TOLERANCES:			
FRACTIONAL: ± 1/64			
ANGULAR: MACH ± .5°			
TWO PLACE DECIMAL ±.03			
THREE PLACE DECIMAL ±.01			
INTERPRET GEOMETRIC TOLERANCING PER:		TITLE: <b>HS-11 Rigging Hanging Set</b>	
MATERIAL		NEXT ASSY:	
FINISH		USED ON:	
DO NOT SCALE DRAWING		SIZE <b>B</b>	
		DWG. NO. <b>1-HS-11</b>	
		REV <b>00</b>	
		SCALE: 1:4	
		WEIGHT:	
		SHEET 1 OF 1	