

**TEAX13C02-8/RH Classic Audio Exciter**

**Features**

- Small footprint design
- Impedance: 8 ohm nominal
- Dimensions: 32.2mm x 26.3mm
- Thickness: 9.0mm
- Mass: 10.0g

**Applications**

- Flat panel loudspeakers
- Toys
- Greetings cards
- Novelty items

**Description**

The TEAX13C02-8/RH audio exciter is a highly optimised small form factor electro-dynamic transducer. It combines an efficient magnetic circuit topology with a compact design for maximum placement flexibility.

The TEAX13C02-8/RH is ideal for any application where a small footprint transducer is required.

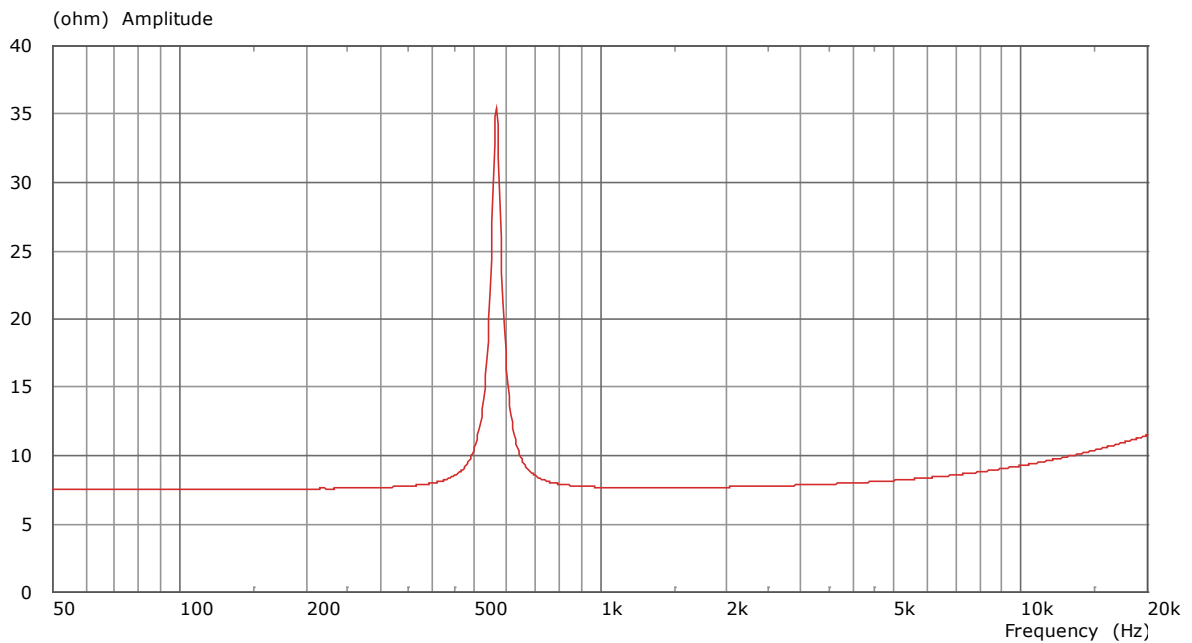
**Parameters**

Parameter	Description	min	typ	max	Units
$R_e$	DC resistance	-10%	7.5	+10%	Ohms
$L_e$	Inductance	-10%	0.07	+10%	mH
$BL$	Force factor		1.11		Tm
$f_s$	Resonance frequency	-20%	560	+20%	Hz
$dD_{rv}$	Voice coil diameter		13		mm
$M_{ms}$	Moving mass		0.25		g
$C_{ms}$	Compliance		0.33		mmN <sup>-1</sup>
$R_{ms}$	Suspension Loss		0.04		Nsm <sup>-1</sup>
$X_{mech\ max}$	Maximum coil excursion (p-p)		3.0		mm

**Operating conditions**

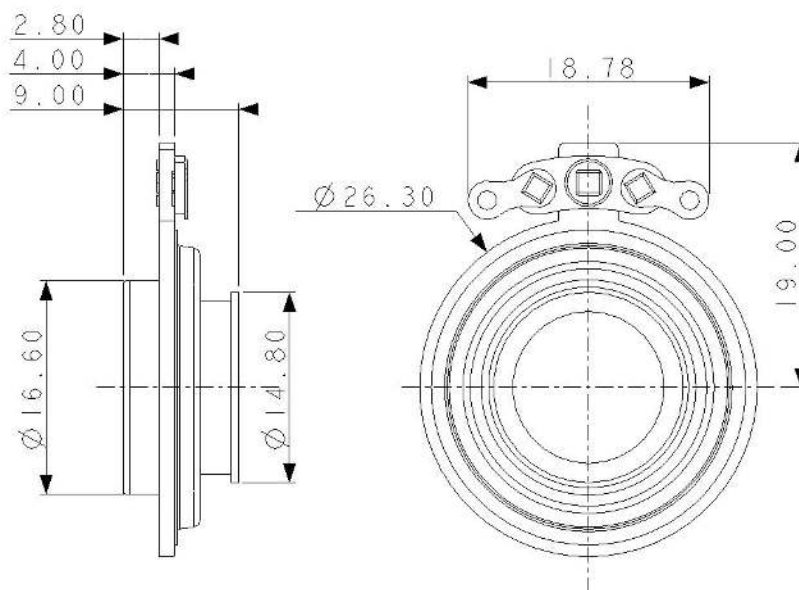
Condition	Value
Continuous power handling (weighted pink noise)	1W
Burst power handling (weighted pink noise)	>2W
Operating temperature range	-20 to 55° C (TBC)
Audio frequency range	500Hz to 20kHz

**Measured Response - Impedance**



**Figure 1. Impedance vs. frequency**

**Outline Drawing**



**Figure 2. Nominal dimensions**