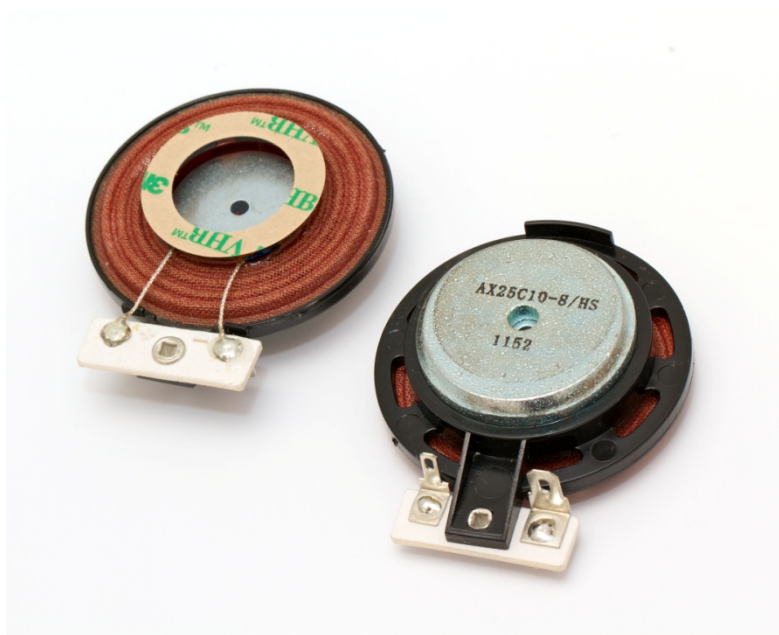


---

**TEAX25C10-8/HS High Efficiency Exciter**

**Features**

- Impedance: 8 ohm nominal
- Dimensions: 61.3mm x 50.8mm
- Thickness: 19mm
- Mass: 85g
- Self-adhesive mounting

**Applications**

- Concealed audio
- Consumer audio
- Automotive interior panels.

**Description**

The TEAX25C10-8/HS is a High Power 25mm audio exciter, designed to be attached to a flat panel to radiate sound.

It's highly efficient delivering high output, with good power handling and can be used in a wide range of high power audio applications.

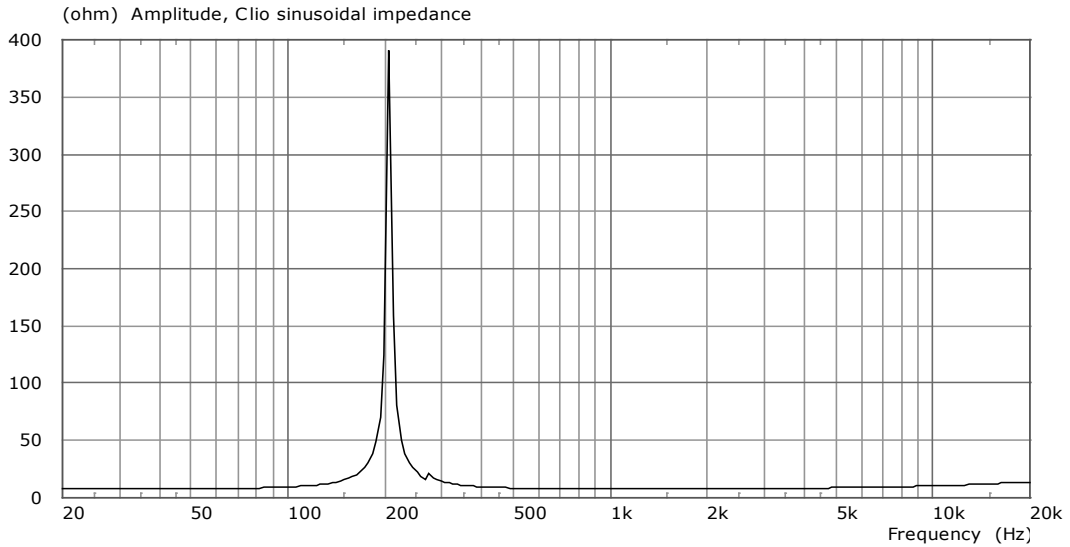
**Parameters**

Parameter	Description	min	typ	max	Units
$R_e$	DC resistance	-10%	7.9	+10%	Ohms
$L_e$	Inductance (@ 10kHz)	-10%	0.1	+10%	mH
$BL$	Force factor	-	4.28	-	Tm
$f_s$	Resonant frequency	-10%	202	+10%	Hz
$d_{Drv}$	Voice coil diameter	-	25.4	-	mm
$M_{ms}$	Moving mass	-	0.98	-	g
$C_{ms}$	Compliance	-	0.63	-	mmN <sup>-1</sup>
$R_{ms}$	Suspension loss	-	0.06	-	Nsm <sup>-1</sup>
$X_{mech\ max}$	Maximum coil excursion (p-p)	-	4	-	mm

**Operating conditions**

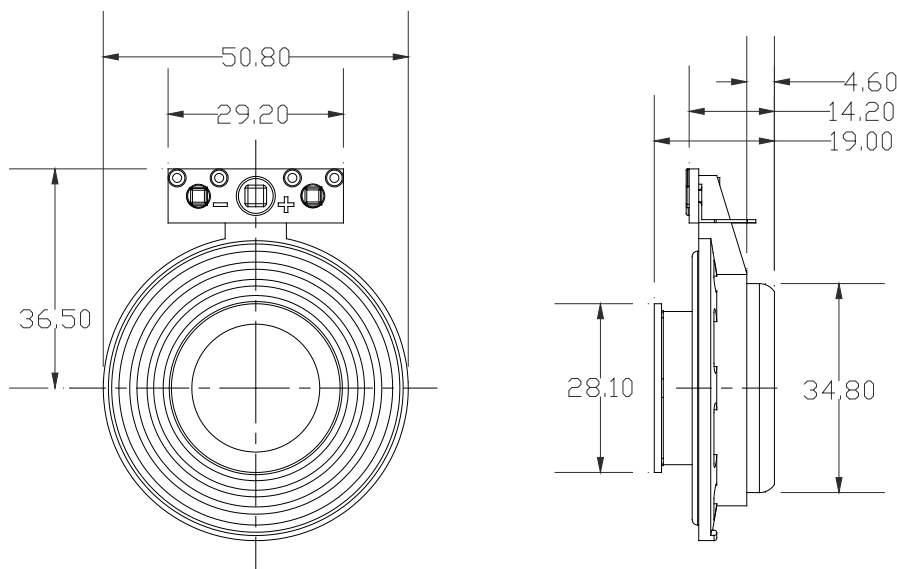
Condition	Value
Continuous power handling (weighted pink noise)	10W
Burst power handling (weighted pink noise)	>20W
Operating temperature range	-20 to 55° C (TBC)
Audio frequency range	100Hz to 20kHz

**Measured Response - Impedance**



**Figure 1. Impedance vs. frequency**

**Outline Drawing**



**Figure 2. Nominal dimensions**