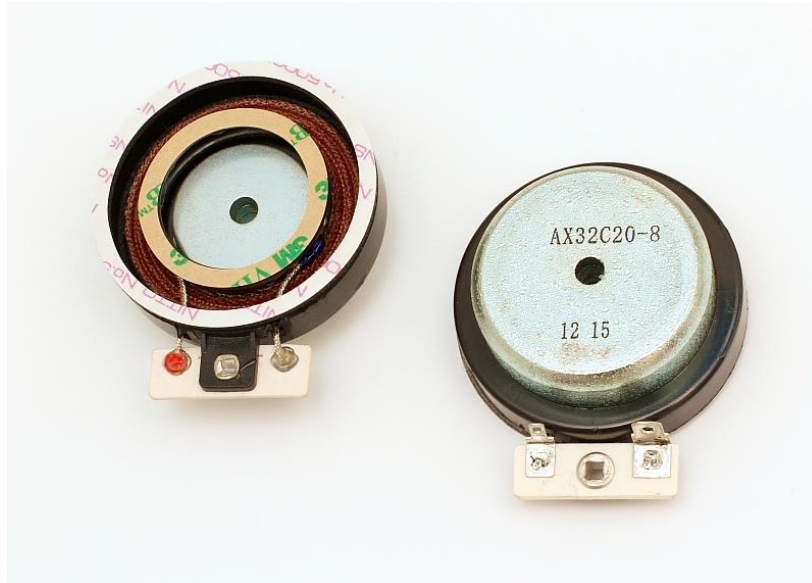


TEAX32C20-8 High Power Exciter



Features

- Wide bandwidth and wide directivity
- Impedance: 8 ohm nominal
- Outside Diameter 51.2mm
- Thickness: 22.5mm
- Mass: 150g

Applications

- Signage
- Interactive displays
- Industrial control

Parameters

Description

The TEAX32C20-8 high power 32mm voice coil 8ohm exciter provides high electro-magnetic efficiency and exceptional power handling. It is designed for commercial and industrial audio, driving heavy, rigid surfaces.

Parameter	Description	min	typ	max	Units
R_e	DC resistance	-10%	7.4	+10%	Ohms
L_e	Inductance (@ 10kHz)	-10%	1.0	+10%	mH
BL	Force factor	-10%	7.4	+10%	Tm
f_s	Resonance frequency	-20%	400	+20%	Hz
f_m	Magnet resonance	-20%	90	+20%	Hz
d_{Drv}	Voice coil diameter		32		mm
M_{ms}	Moving mass		3.4		g
C_{ms}	Compliance		0.046		mmN ⁻¹
R_{ms}	Suspension Loss		0.85		Nsm ⁻¹
$X_{mech\ max}$	Maximum coil excursion (p-p)		4		mm

Operating conditions

Condition	Value
Continuous power handling(weighted pink noise)	10W
Burst power handling(weighted pink noise)	>20 W
Operating temperature range	-20 to 55° C
Audio frequency range	100Hz to 15kHz

Response

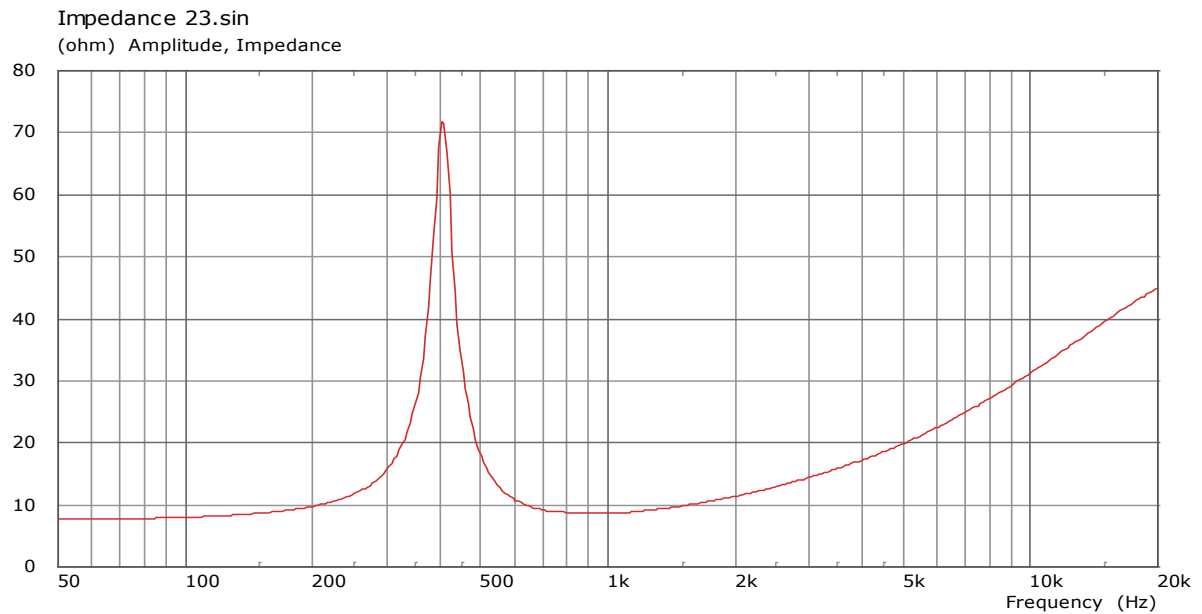


Figure 1. Impedance vs. frequency, free coil.

Outline Drawing

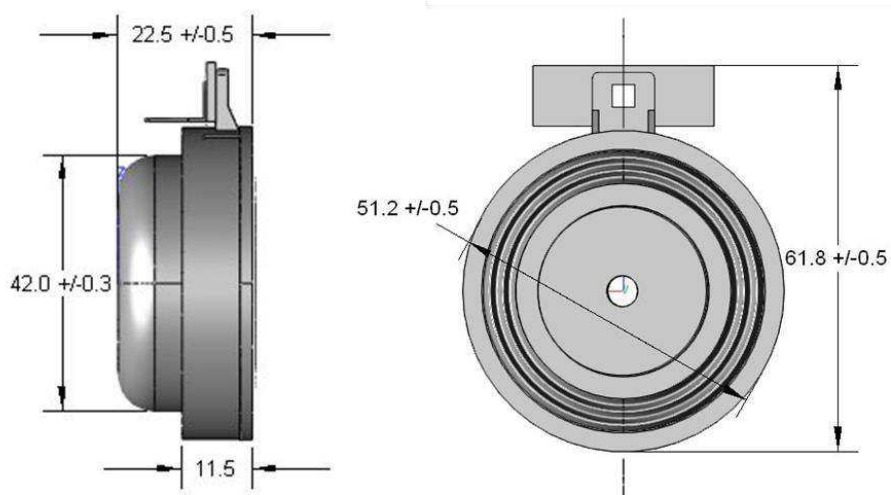


Figure 2. Nominal dimensions.

Disclaimer: The information in this Data Sheet is subject to change without notification.
Please see <http://www.tectonicaudiolabs.com> for Terms and Conditions of Sale.