

TEAX19C01-4/LP Low Profile Audio Exciter

Features

- Shallow small footprint design
- Impedance: 4 ohm nominal
- Dimensions: 30mm x 30mm
- Thickness: 6.3mm
- Mass: 14.1g

Applications

- Ultra-slim loudspeakers
- Toys
- Greetings cards
- Novelty items

Description

The TEAX19C01-4/LP audio exciter is a very compact and highly optimised electrodynamic transducer. It combines an efficient magnetic circuit topology with a low profile suspension design for maximum placement flexibility.

Ideal for any application where depth is the critical dimension.

Parameters

Parameter	Description	min	typ	max	Units
R_e	DC resistance	-10%	4.2	+10%	Ohms
L_e	Inductance	-10%	0.05	+10%	mH
BL	Force factor		1.19		Tm
f_s	Resonance frequency	-20%	600	+20%	Hz
dD_{rv}	Voice coil diameter		19		mm
M_{ms}	Moving mass		0.32		g
C_{ms}	Compliance		0.221		mmN ⁻¹
R_{ms}	Suspension Loss		0.04		Nsm ⁻¹
$X_{mech\ max}$	Maximum coil excursion (p-p)		1.5		mm

Operating conditions

Condition	Value
Continuous power handling (weighted pink noise)	1W (24hrs)
Burst power handling (weighted pink noise)	>2W
Operating temperature range	-20 to 55° C (TBC)
Audio frequency range	200Hz to 20kHz

Measured Response - Impedance

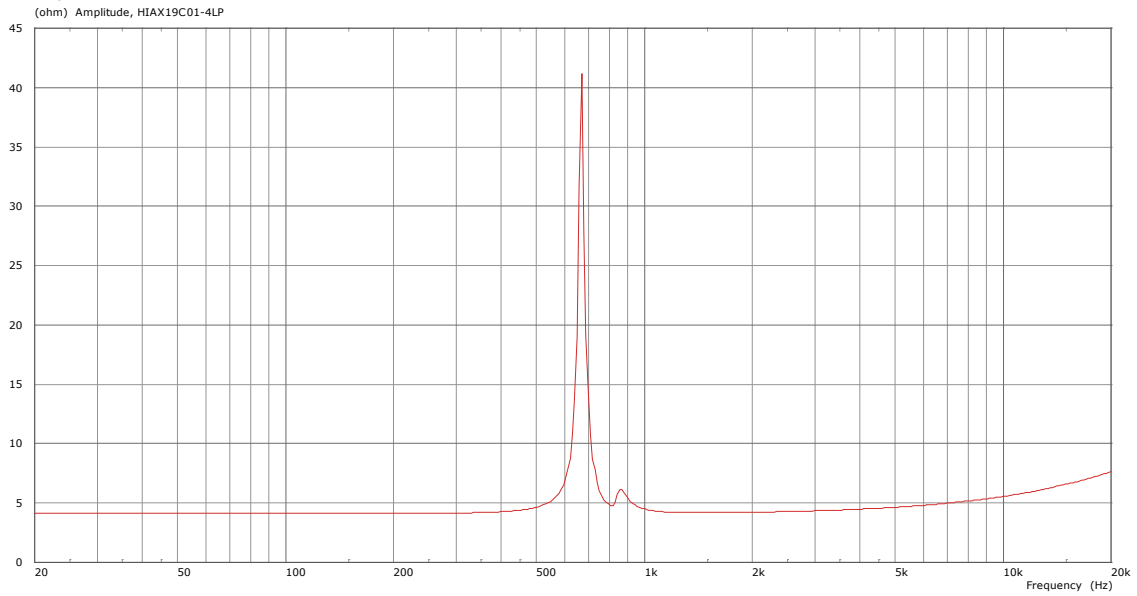


Figure 1. Impedance vs. frequency

Outline Drawing

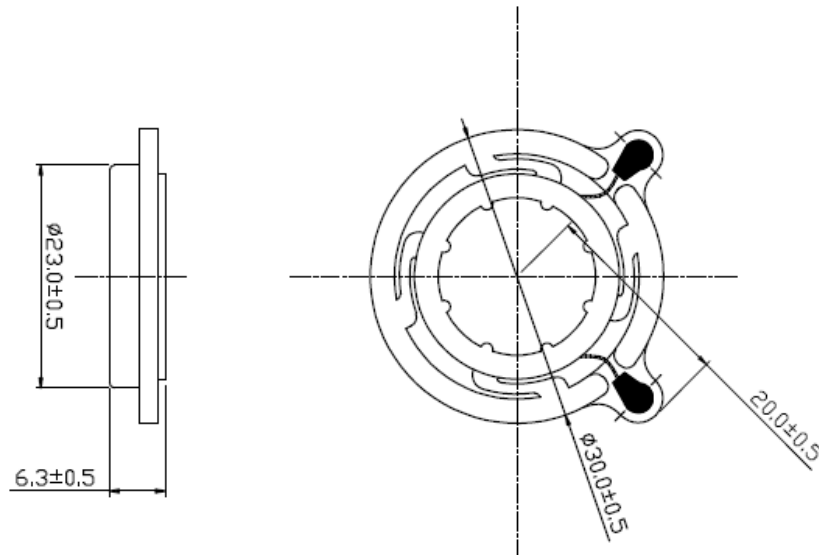


Figure 2. Nominal dimensions

Disclaimer: The information in this Data Sheet is subject to change without notification. Please see <http://www.tectonicaudiolabs.com> for Terms and Conditions of Sale.