

TEAX19C01-8 Classic Audio Exciter

Features

- Impedance: 8 ohm nominal
- Dimensions: 41mm x 33.8mm
- Thickness: 12.9mm
- Mass: 29.6g
- Impressive performance and value

Applications

- Flat panel loudspeakers
- Consumer electronics

Description

The TEAX19C01-8 is an audio panel exciter capable of turning a wide variety of flat surfaces into a quality loudspeaker.

Offering high levels of performance and great value this exciter is well suited to driving light, stiff materials such as paper honeycomb and foam board.

Parameters

Parameter	Description	min	typ	max	Units
R_e	DC resistance	-10%	6.9	+10%	Ohms
L_e	Inductance	-10%	0.2	+10%	mH
BL	Force factor		2.7		Tm
f_s	Resonance frequency	-20%	350	+20%	Hz
dDrv	Voice coil diameter		19		mm
M_{ms}	Moving mass		0.7		g
C_{ms}	Compliance		0.3		mmN ⁻¹
R_{ms}	Suspension Loss		0.07		Nsm ⁻¹
$X_{mech\ max}$	Maximum coil excursion (p-p)		3.5		mm

Operating conditions

Condition	Value
Continuous power handling (weighted pink noise)	2W
Burst power handling (weighted pink noise)	>4W
Operating temperature range	-20 to 55° C (TBC)
Audio frequency range	300Hz to 20kHz

Measured Response - Impedance

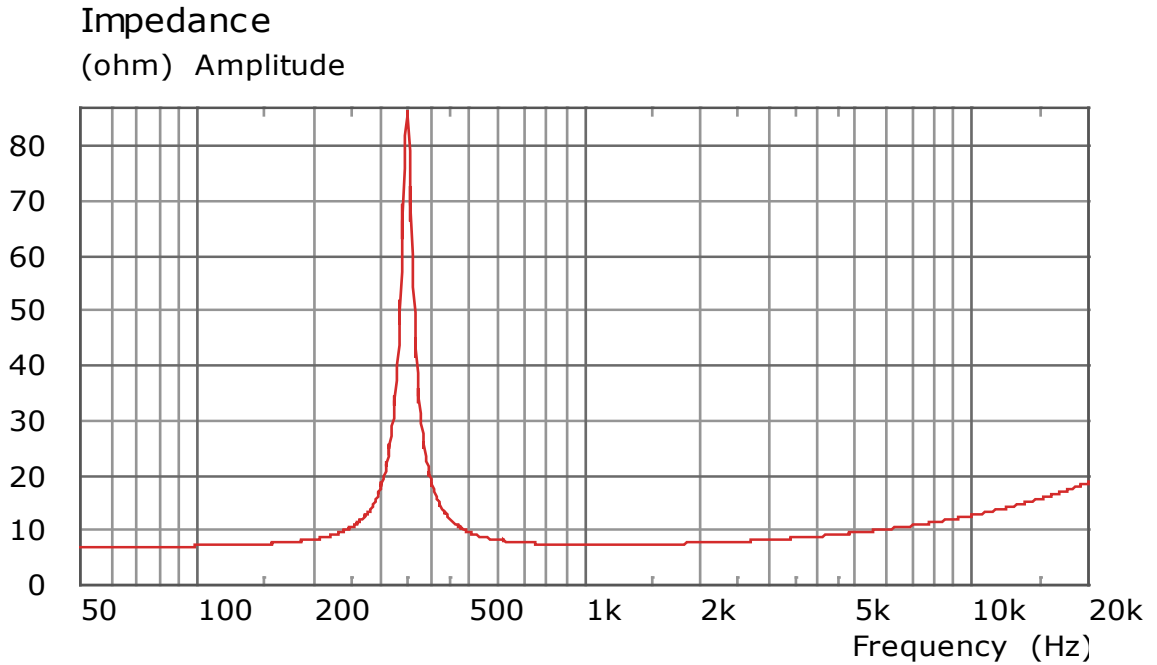


Figure 1. Impedance vs. frequency

Outline Drawing

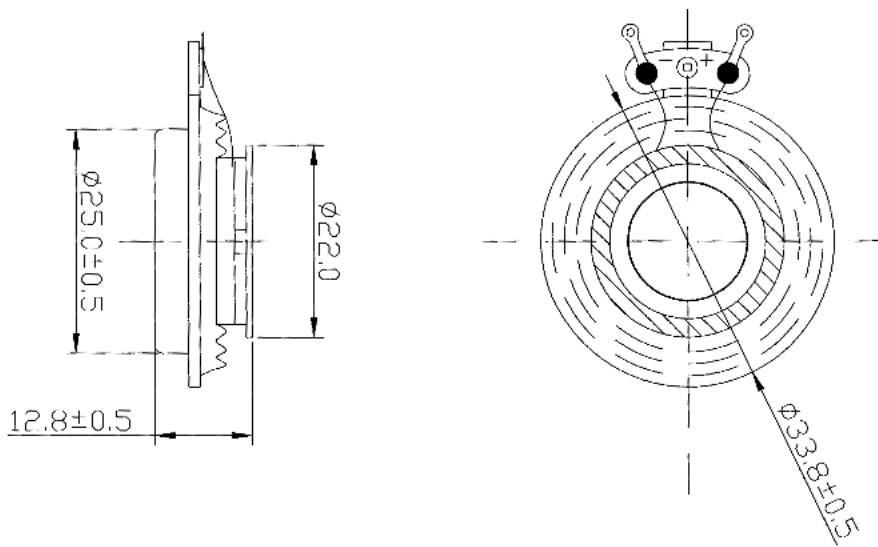


Figure 2. Nominal dimensions