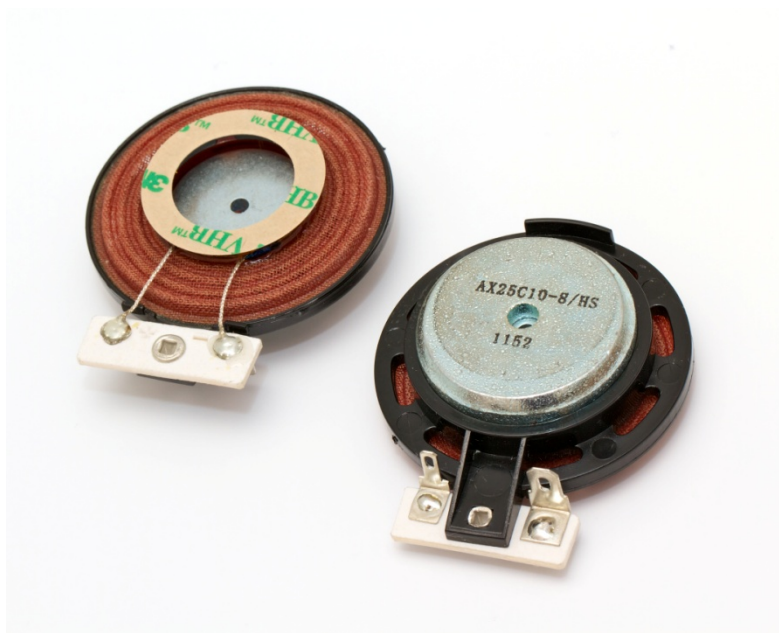

TEAX25C10-8/HS High Efficiency Exciter

Features

- Impedance: 8 ohm nominal
- Dimensions: 61.3mm x 50.8mm
- Thickness: 19mm
- Mass: 85g
- Self-adhesive mounting

Applications

- Concealed audio
- Consumer audio
- Automotive interior panels.

Description

The TEAX25C10-8/HS is a High Power 25mm audio exciter, designed to be attached to a flat panel to radiate sound.

It's highly efficient delivering high output, with good power handling and can be used in a wide range of high power audio applications.

Parameters

Parameter	Description	min	typ	max	Units
R_e	DC resistance	-10%	7.9	+10%	Ohms
L_e	Inductance (@ 10kHz)	-10%	0.1	+10%	mH
BL	Force factor	-	4.28	-	Tm
f_s	Resonant frequency	-10%	202	+10%	Hz
d_{Drv}	Voice coil diameter	-	25.4	-	mm
M_{ms}	Moving mass	-	0.98	-	g
C_{ms}	Compliance	-	0.63	-	mmN ⁻¹
R_{ms}	Suspension loss	-	0.06	-	Nsm ⁻¹
$X_{mech\ max}$	Maximum coil excursion (p-p)		4		mm

Operating conditions

Condition	Value
Continuous power handling (weighted pink noise)	10W
Burst power handling (weighted pink noise)	>20W
Operating temperature range	-20 to 55° C (TBC)
Audio frequency range	100Hz to 20kHz

Measured Response - Impedance

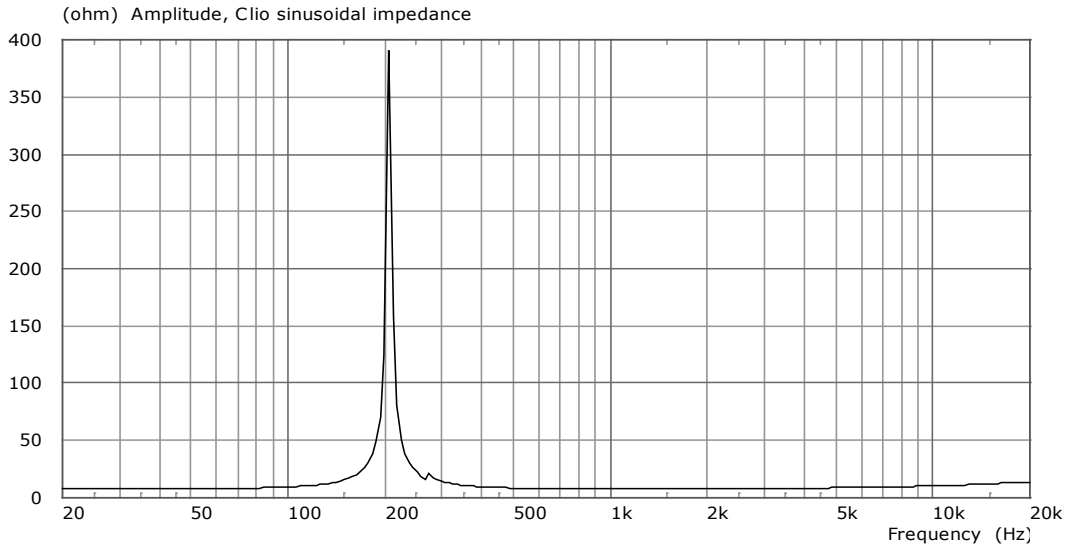


Figure 1. Impedance vs. frequency

Outline Drawing

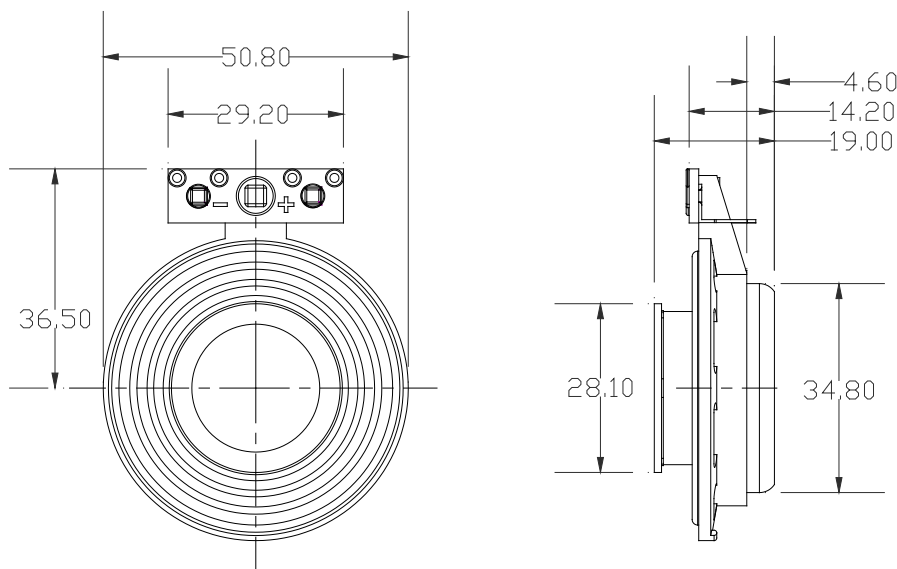


Figure 2. Nominal dimensions