

TEAX14C02-8 Compact Audio Exciter



Features

- Impedance: 8 ohm nominal
- Dimensions: 37mm x 20mm
- Thickness: 9.85mm
- Mass: 12.8g
- Nominal power rating 2.0W RMS
- Self-adhesive fixing (3M VHB 9473PC)

Applications

- Ultra slim and compact loudspeakers
- Portable, hand held audio devices
- In car, hands free speaker product

Parameters

Description

The TEAX14C02-8 is a compact, highly optimised electrodynamic transducer.

The exciter is designed to be attached to the reverse side of a rigid panel to generate sound.

This exciter is ideal for applications where space is limited.

Parameter	Description	min	typ	max	Units
R_e	DC resistance	-15%	7.8	+15%	Ohms
L_e	Inductance (@ 10kHz)	-15%	0.13	+15%	mH
BL	Force factor	-	2.4	-	T.m
f_s	Free coil resonance	-10%	600	+10%	Hz
f_m	Magnet resonance	-10%	100	+10%	Hz
M_{ms}	Moving mass	-	355	-	mg
M_{mm}	Magnet mass	-	12.7	-	g
C_{ms}	Compliance	-	$0.20e^{-3}$	-	$m.N^{-1}$
R_{ms}	Suspension Loss	-	$60e^{-3}$	-	$N.s.m^{-1}$
dDrv	Voice coil diameter	-	14	-	mm

Operating conditions

Condition	Value
Continuous power handling (weighted pink noise)	2.0W
Burst power handling (weighted pink noise)	>2.0 W
Operating temperature range	-20 to 55° C
Audio frequency range	300Hz to 20kHz

Response

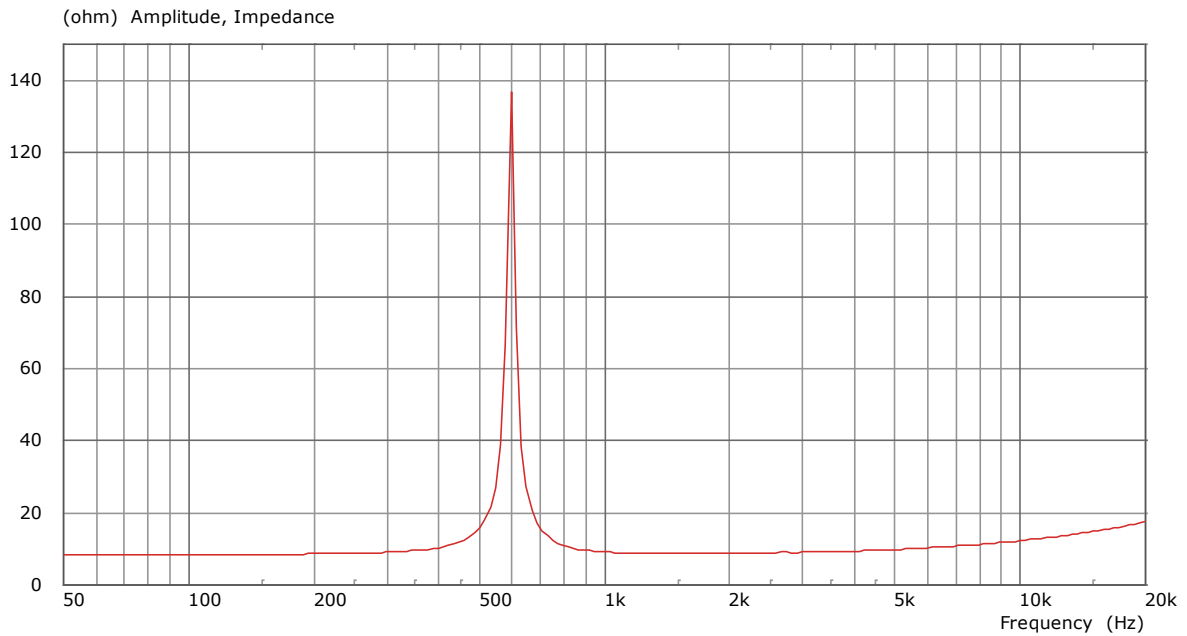


Figure 1. Impedance vs. frequency

Outline Drawing

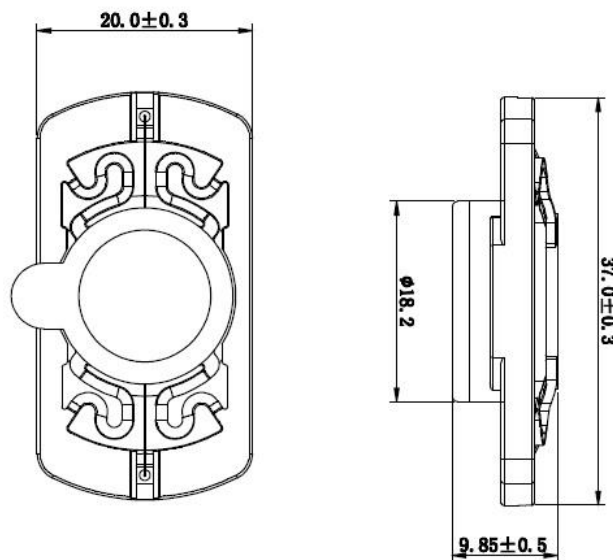


Figure 2. Nominal dimensions

Disclaimer: The information in this Data Sheet is subject to change without notification.
 Please note: you should check that your intended application of this Tectonic product does not infringe the patent (or other intellectual property) of any third party. Tectonic does not give any warranty in this regard.
 Please see <http://www.tectonicelements.com> for Terms and Conditions of Sale.