

## TEAX19C01-4/LP Low Profile Audio Exciter

✓RoHS  
COMPLIANT



### Features

- Shallow small footprint design
- Impedance: 4 ohm nominal
- Dimensions: 30mm x 30mm
- Thickness: 6.3mm
- Mass: 14.1g

### Applications

- Ultra-slim loudspeakers
- Toys
- Greetings cards
- Novelty items

### Description

The TEAX19C01-4/LP audio exciter is a very compact and highly optimised electrodynamic transducer. It combines an efficient magnetic circuit topology with a low profile suspension design for maximum placement flexibility.

Ideal for any application where depth is the critical dimension.

### Parameters

Parameter	Description	min	typ	max	Units
$R_e$	DC resistance	-10%	4.2	+10%	Ohms
$L_e$	Inductance	-10%	0.05	+10%	mH
$BL$	Force factor		1.19		Tm
$f_s$	Resonance frequency	-20%	600	+20%	Hz
$d_{Drv}$	Voice coil diameter		19		mm
$M_{ms}$	Moving mass		0.32		g
$C_{ms}$	Compliance		0.221		mmN <sup>-1</sup>
$R_{ms}$	Suspension Loss		0.04		Nsm <sup>-1</sup>
$X_{mech\ max}$	Maximum coil excursion (p-p)		1.5		mm

Operating conditions

Condition	Value
Continuous power handling (weighted pink noise)	1W (24hrs)
Burst power handling (weighted pink noise)	>2W
Operating temperature range	-20 to 55° C (TBC)
Audio frequency range	200Hz to 20kHz

Response

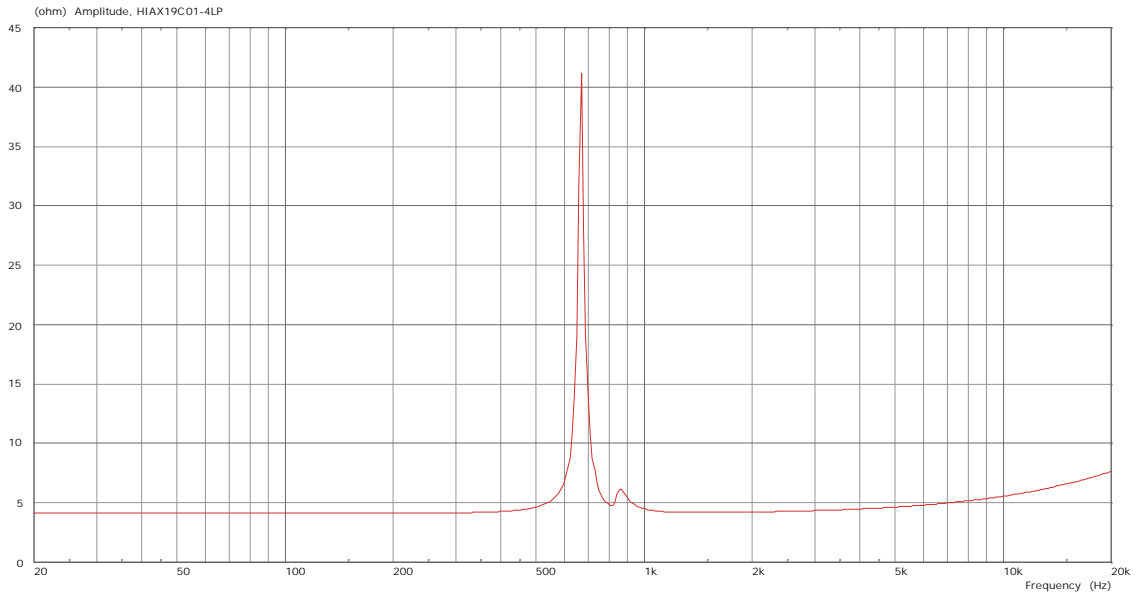


Figure 1. Impedance vs. frequency

Outline Drawing

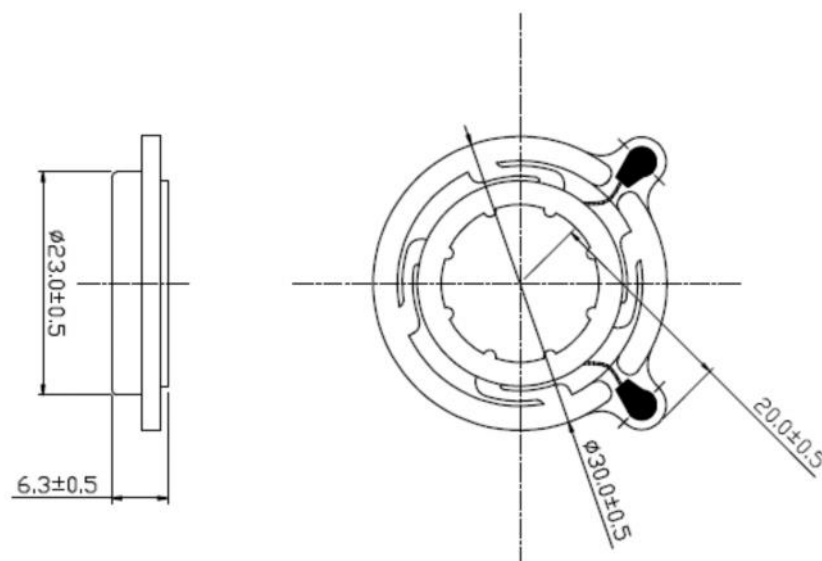


Figure 2. Nominal dimensions

Disclaimer: The information in this Data Sheet is subject to change without notification. Please note: you should check that your intended application of this Tectonic product does not infringe the patent (or other intellectual property) of any third party. Tectonic does not give any warranty in this regard. Please see <http://www.tectonicelements.com> for Terms and Conditions of Sale.