

## TEAX25C05-8 Classic Audio Exciter



### Features

- Impedance: 8 ohm nominal
- Dimensions: 52mm x 44mm
- Thickness: 14.5mm
- Mass: 60g
- Impressive performance and value

### Applications

- Flat panel loudspeakers
- Consumer electronics

### Description

The TEAX25C05-8 is an audio panel exciter capable of turning a wide variety of flat surfaces into a quality loudspeaker.

Offering high levels of performance and great value this exciter is well suited to driving light, stiff materials such as paper honeycomb and foam board.

### Parameters

Parameter	Description	min	typ	max	Units
$R_e$	DC resistance	-10%	7.1	+10%	Ohms
$L_e$	Inductance (@ 10kHz)	-10%	90	+10%	$\mu\text{H}$
$BL$	Force factor	-	2.9	-	Tm
$f_s$	Resonance frequency	-10%	230	+10%	Hz
$d_{\text{Drv}}$	Voice coil diameter	-	25	-	mm
$M_{\text{ms}}$	Moving mass	-	0.9	-	g
$C_{\text{ms}}$	Compliance	-	0.52	-	$\text{mmN}^{-1}$
$R_{\text{ms}}$	Suspension Loss	-	39e-3	-	$\text{Nsm}^{-1}$
$X_{\text{mech max}}$	Maximum coil excursion (p-p)	-	4.4	-	mm

Operating conditions

Condition	Value
Continuous power handling (weighted pink noise)	5W
Burst power handling (weighted pink noise)	>10 W
Operating temperature range	-20 to 55° C
Audio frequency range	200Hz to 20kHz

Response

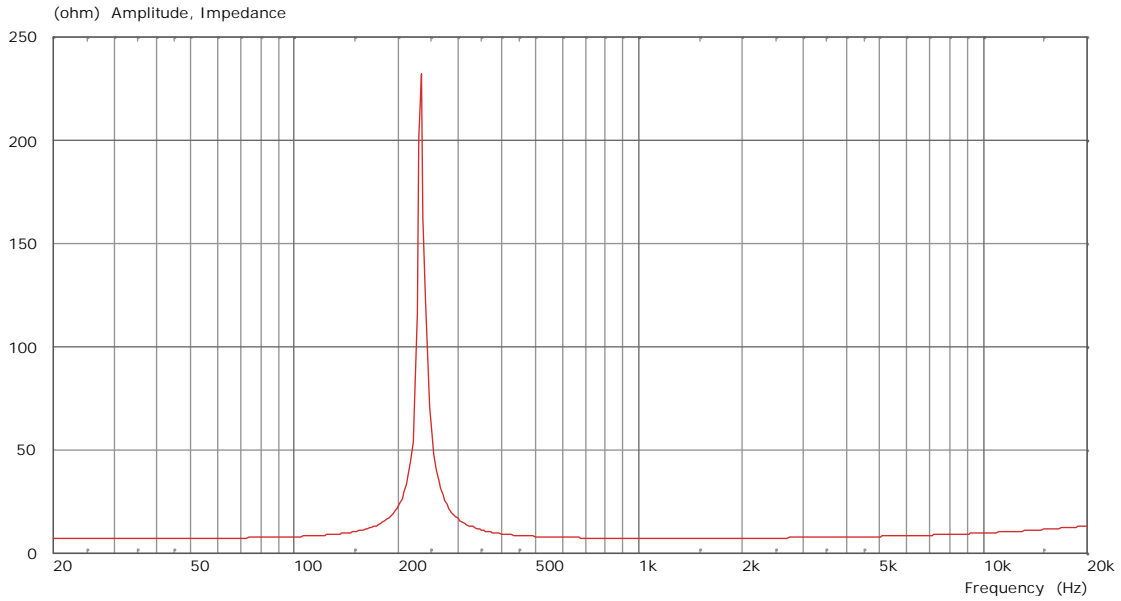


Figure 1. Impedance vs. frequency

Outline Drawing

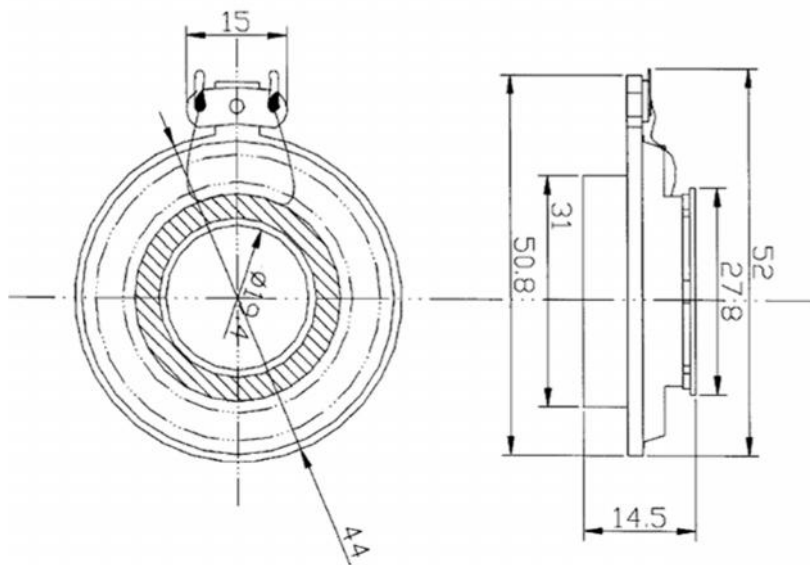


Figure 2. Nominal dimensions