

## TEAX25C10-8/HS High Efficiency Exciter



### Features

- Impedance: 8 ohm nominal
- Dimensions: 61.3mm x 50.8mm
- Thickness: 19mm
- Mass: 85g
- Self-adhesive mounting

### Applications

- Concealed audio
- Consumer audio
- Automotive interior panels.

### Description

The TEAX25C10-8/HS is a High Power 25mm audio exciter, designed to be attached to a flat panel to radiate sound.

It's highly efficient delivering high output, with good power handling and can be used in a wide range of high power audio applications.

### Parameters

Parameter	Description	min	typ	max	Units
$R_e$	DC resistance	-10%	7.9	+10%	Ohms
$L_e$	Inductance (@ 10kHz)	-10%	0.1	+10%	mH
$BL$	Force factor	-	4.28	-	Tm
$f_s$	Resonant frequency	-10%	202	+10%	Hz
$d_{Drv}$	Voice coil diameter	-	25.4	-	mm
$M_{ms}$	Moving mass	-	0.98	-	g
$C_{ms}$	Compliance	-	0.63	-	mmN <sup>-1</sup>
$R_{ms}$	Suspension loss	-	0.06	-	Nsm <sup>-1</sup>
$X_{mech\ max}$	Maximum coil excursion (p-p)	-	4	-	mm

Operating conditions

Condition	Value
Continuous power handling (weighted pink noise)	10W
Burst power handling (weighted pink noise)	>20W
Operating temperature range	-20 to 55° C (TBC)
Audio frequency range	100Hz to 20kHz

Response

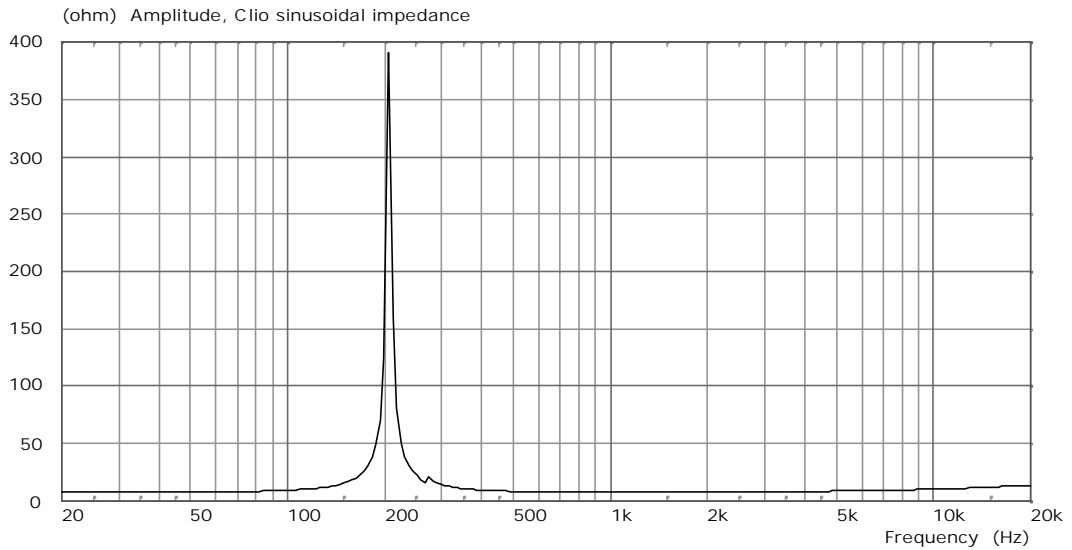


Figure 1. Impedance vs. frequency

Outline Drawing

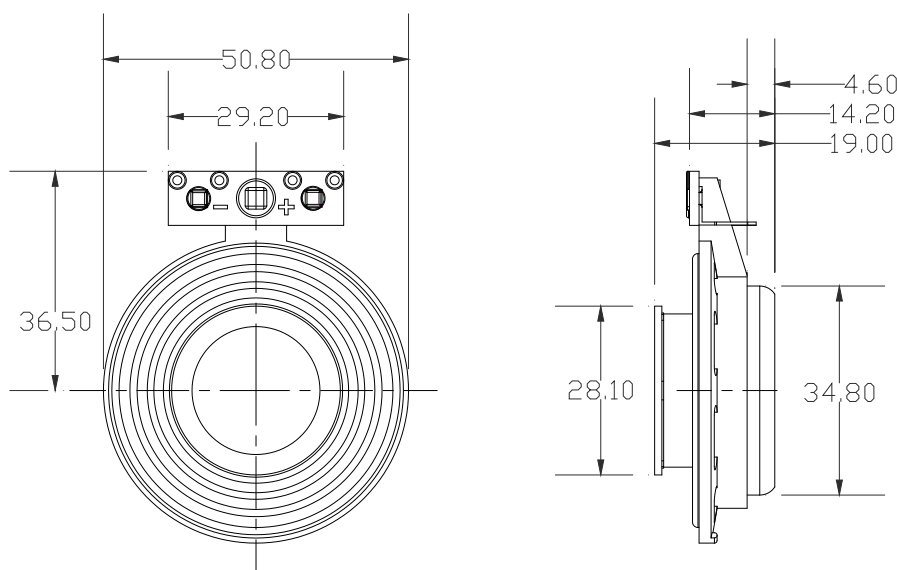


Figure 2. Nominal dimensions

Disclaimer: The information in this Data Sheet is subject to change without notification.  
 Please note: you should check that your intended application of this Tectonic product does not infringe the patent (or other intellectual property) of any third party. Tectonic does not give any warranty in this regard. Please see <http://www.tectonicelements.com> for Terms and Conditions of Sale.