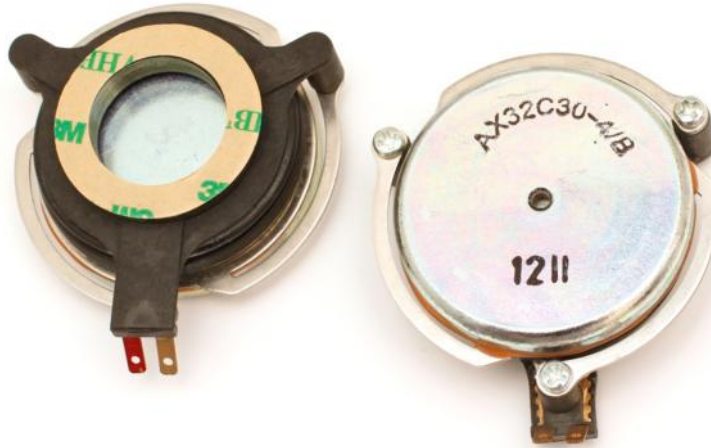


## TEAX32C30-4/B Balanced Exciter

✓RoHS  
COMPLIANT



### Features

- Impedance: 4 ohm nominal
- Dimensions: 53.00mm x 53.00mm
- Thickness: 19.60mm
- Mass: 130g
- Self-adhesive mounting
- Shock and dust-resistant

### Applications

- Automotive
- Out-door environment applications

### Description

The TEAX32C30-4/B balanced exciter is a serviceable, semi-sealed audio exciter with excellent durability, originally designed for automotive applications. A rubber seal around the magnet cup seals the voice coil assembly from the outside environment. The exciter is supplied with a self-adhesive screw-in adaptor for easy serviceability.

### Parameters

Parameter	Description	min	typ	max	Units
$R_e$	DC resistance	-10%	3.4	+10%	Ohms
$L_e$	Inductance (@ 10kHz)	-10%	0.10	+10%	mH
$BW_A$	Audio frequency range	100	-	20000	Hz
$P$	Rated power (IEC268-5)	-	-	30	W
$BL$	Force factor	-	3.5	-	Tm
$s$	Motor efficiency factor	-	3.6	-	$(Tm)^2^{-1}$
$f_s$	Resonant frequency	-10%	260	+10%	Hz
$f_m$	Magnet resonance	-10%	100	+10%	Hz
$d_{Drv}$	Voice coil diameter	-	32.0	-	mm
$M_{ms}$	Moving mass	-	6.7	-	g
$M_{mm}$	Magnet mass	-	126	-	g
$C_{ms}$	Compliance	-	0.24	-	$mmN^{-1}$
$R_{ms}$	Suspension loss	-	1.5	-	$Nsm^{-1}$
$X_{mech\ max}$	Maximum coil excursion (p-p)	-	3	-	mm
<b>Temp</b>	Operating temperature range	-20	-	60	°C

## Response

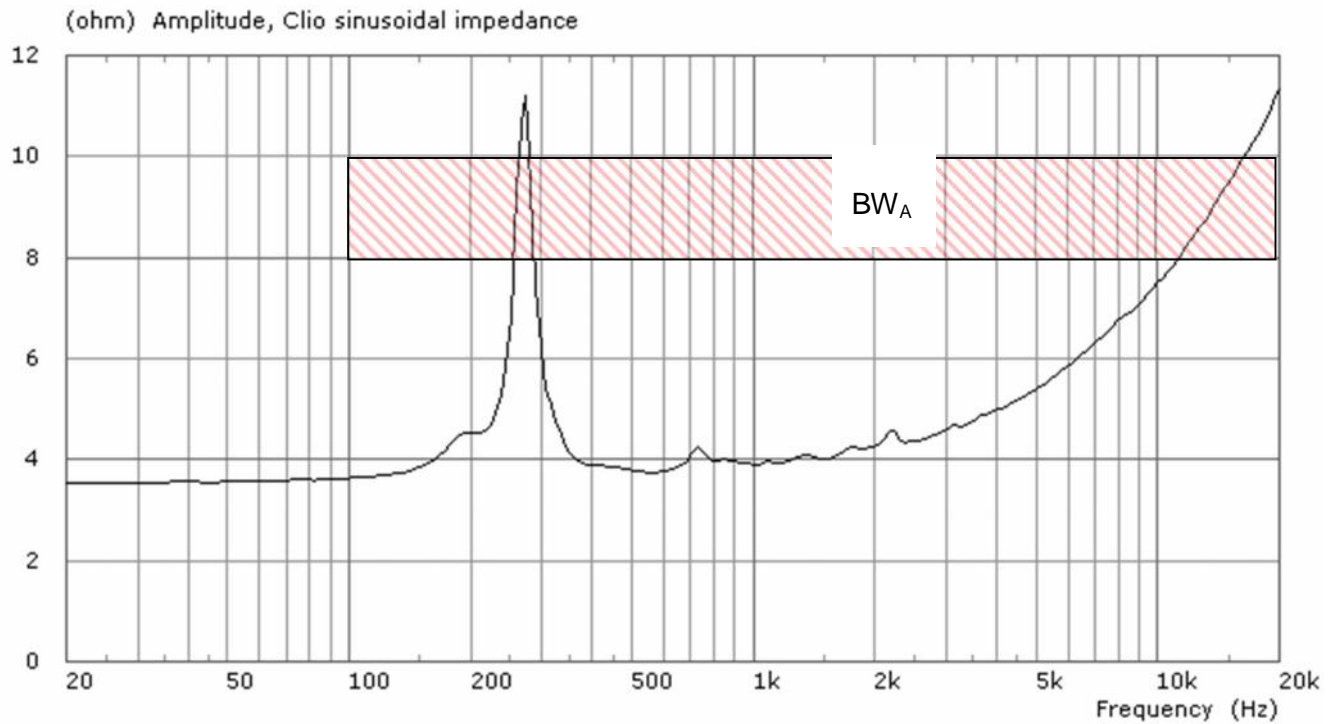


Figure 1. Impedance vs. frequency

## Outline Drawing

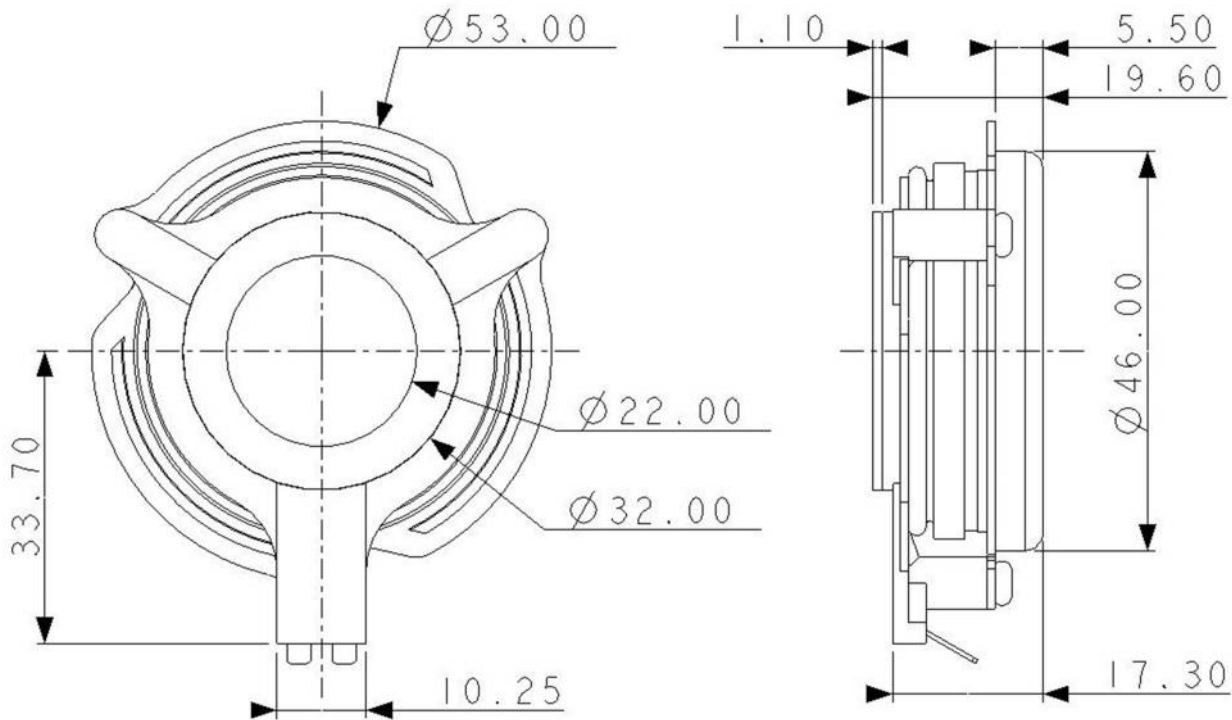


Figure 2. Nominal dimensions