

TEBM36S05-4 Balanced Mode Radiator

✓RoHS
COMPLIANT



Features

- Wide bandwidth and wide directivity.
- 4 ohm impedance
- Dimensions: 58.00mm x 58.00mm.
- Thickness: 20.6mm
- Mass: 65g

Applications

- Docking stations
- Table radios
- Sound bars
- Computer speakers

Description

The TEBM36S05-4 Balanced Mode Radiator (BMR) is an audio drive unit with an extended frequency response and wide directivity compared with a conventional drive unit. It combines the benefits of Tectonic Elements bending-wave technology and pistonic modes of operation. It is ideally suited for compact audio applications that require a full-range, high performance acoustic solution.

Parameters

| Parameter | Description | min | typ | max | Units |
|-----------------|-----------------------------------|------|------|-------|-------------------|
| R_e | DC resistance | -10% | 3.7 | +10% | Ohms |
| L_e | Inductance (@ 10kHz) | -10% | 0.62 | +10% | mH |
| BW_A | Audio frequency range (suggested) | 100 | - | 20000 | Hz |
| P | Rated power (IEC268-5) | - | - | 5 | W |
| BL | Force factor | - | 2.5 | - | Tm |
| f_s | Resonant frequency in free air | -10% | 176 | +10% | Hz |
| SPL | Sound pressure level @ 1W, 1m | - | 79 | - | dB |
| $dDrv$ | Voice coil diameter | - | 25.4 | - | mm |
| M_{ms} | Moving mass | - | 2.0 | - | g |
| C_{ms} | Compliance | - | 0.55 | - | mmN ⁻¹ |
| R_{ms} | Suspension loss | - | 0.31 | - | Nsm ⁻¹ |
| $X_{mech\ max}$ | Maximum coil excursion (p-p) | - | 6.0 | - | mm |
| S_d | Effective piston area | - | 17.6 | - | cm ² |
| V_{AS} | Equivalent volume | - | 0.24 | - | L |
| Q_{ms} | Mechanical quality factor | - | 6.17 | - | |
| Q_{es} | Electrical quality factor | - | 1.21 | - | |
| Q_{ts} | Total quality factor | - | 1.01 | - | |
| $Temp$ | Operating temperature range | -20 | - | 55 | °C |

Response

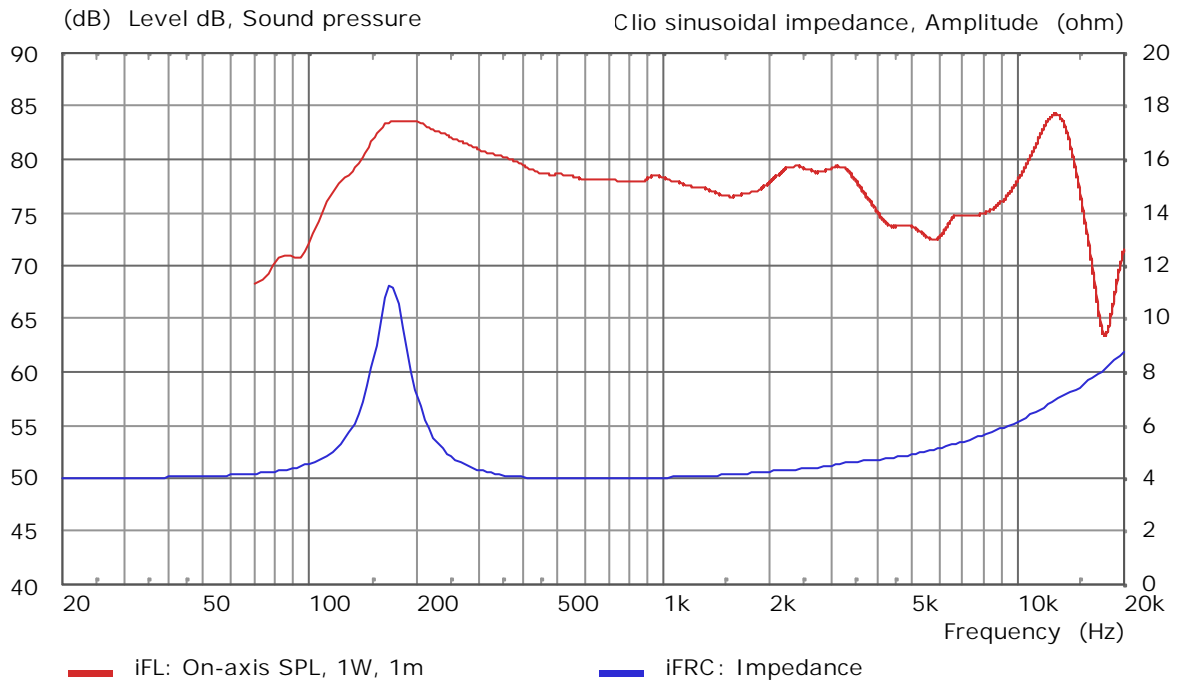


Figure 1. SPL and Impedance vs. frequency

Outline Drawing

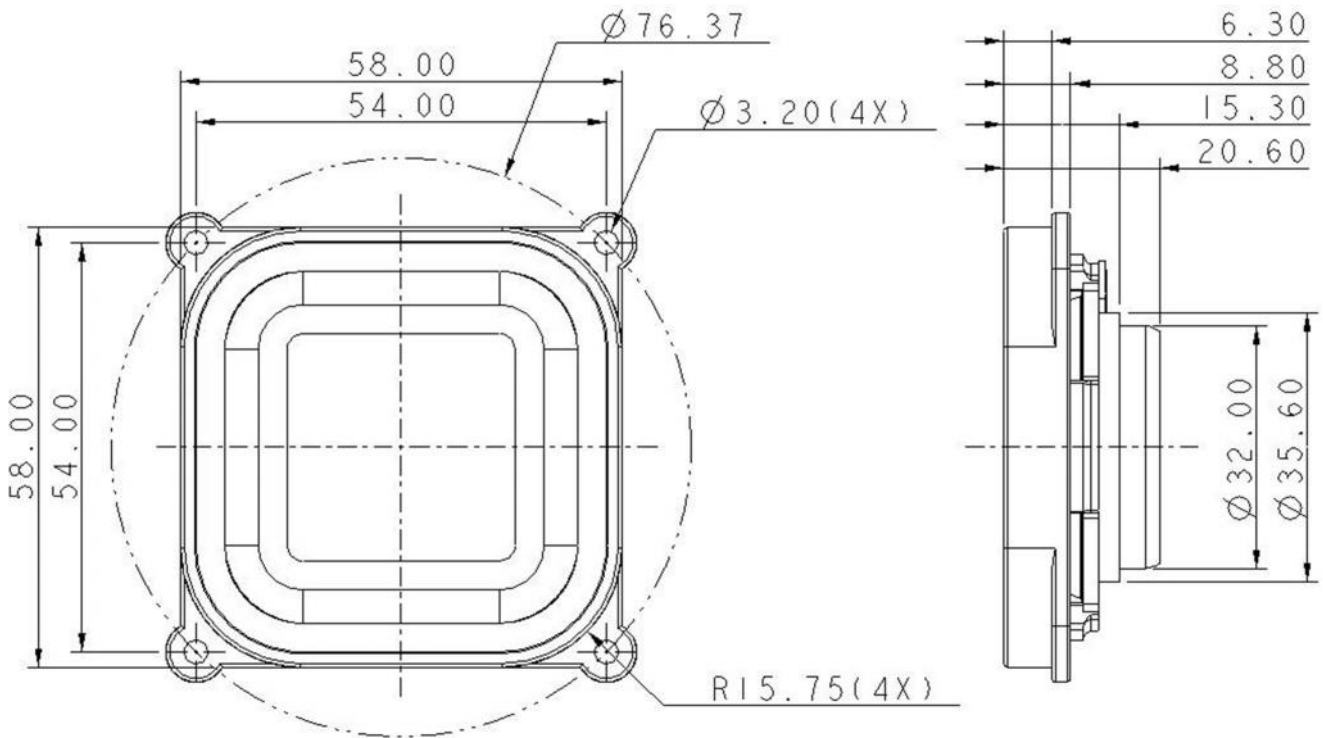


Figure 2. Nominal dimensions

Disclaimer: The information in this Data Sheet is subject to change without notification.

Please note: you should check that your intended application of this Tectonic product does not infringe the patent (or other intellectual property) of any third party. Tectonic does not give any warranty in this regard.

Please see <http://www.tectonicelements.com> for Terms and Conditions of Sale