

## TEAX14C02-8 Compact Audio Exciter



### Features

- Impedance: 8 ohm nominal
- Dimensions: 37mm x 20mm
- Thickness: 9.85mm
- Mass: 12.8g
- Nominal power rating 0.8W RMS
- Self-adhesive fixing (3M VHB 9473PC)

### Applications

- Ultra slim and compact loudspeakers
- Portable, hand-held audio devices
- IoT devices – audio & haptic

### Parameters

Parameter	Description	min	typ	max	Units
$R_e$	DC resistance	-15%	7.8	+15%	Ohms
$L_e$	Inductance (@ 10kHz)	-15%	0.13	+15%	mH
$BL$	Force factor	-	2.4	-	T.m
$f_s$	Free coil resonance	-10%	600	+10%	Hz
$f_m$	Magnet resonance	-10%	100	+10%	Hz
$M_{ms}$	Moving mass	-	355	-	mg
$M_{mm}$	Magnet mass	-	12.7	-	g
$C_{ms}$	Compliance	-	0.20	-	mm/N
$R_{ms}$	Suspension Loss	-	0.60	-	N.S./m
dDrv	Voice coil diameter	-	14	-	mm

### Description

The TEAX14C02-8 is a compact, highly optimized electrodynamic transducer.

The exciter is designed to be attached to the reverse side of a rigid panel to generate sound.

This exciter is ideal for speech and notification in diverse environments where space is limited.

**Operating conditions**

Condition	Value
Continuous power handling (weighted pink noise)	2.0W
Burst power handling (weighted pink noise)	>2.0 W
Operating temperature range	-20 to 55° C
Audio frequency range	300Hz to 20kHz

**Measured Response - Impedance**

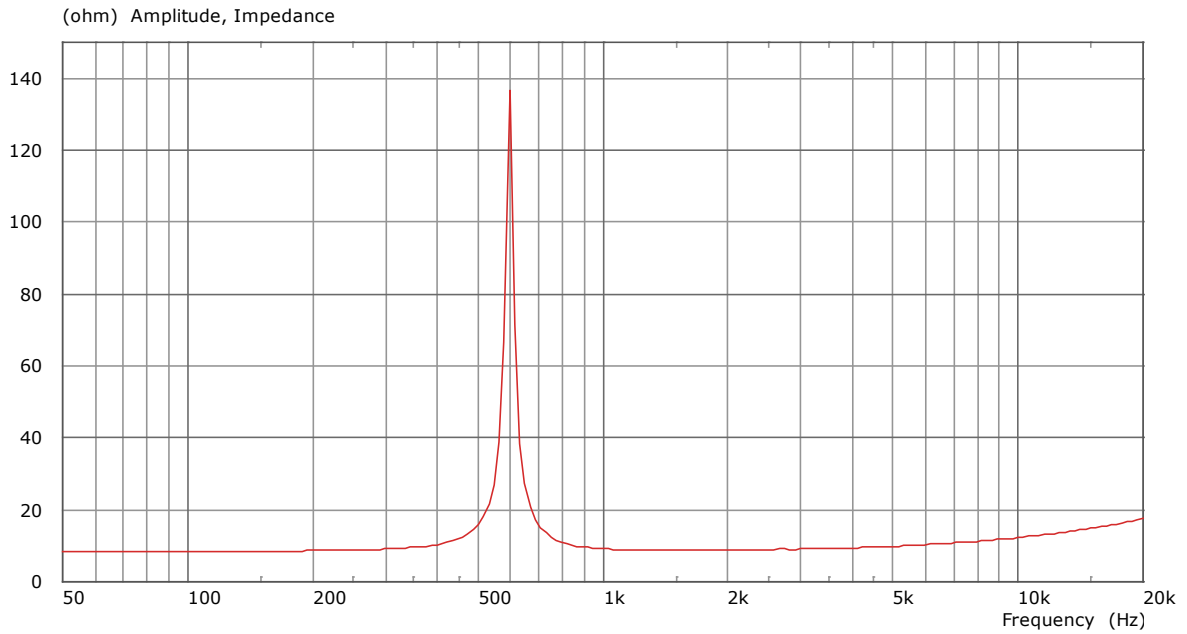


Figure 1. Impedance vs. frequency

**Outline Drawing**

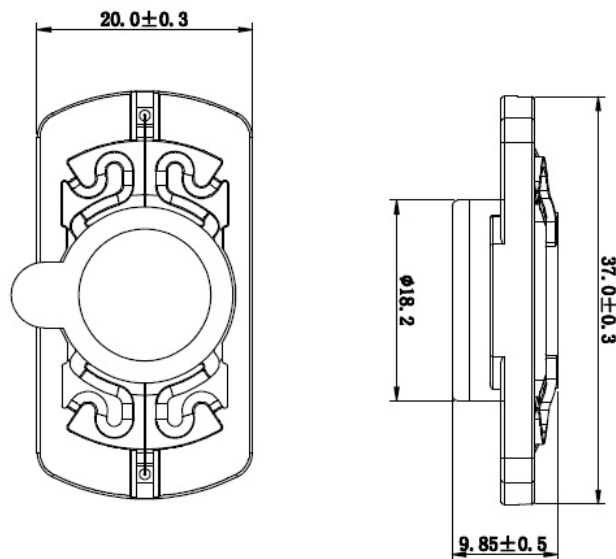


Figure 2. Nominal dimensions