

Features:

- High output subwoofer system, bass reflex, semi horn-loaded port design
- Can be used in single, dual and quad configurations
- Professional birch construction with wear resistant polymer coating
- 16 integrated M10 attachment points
- Single 18-inch high output, low frequency driver with 4-inch (100 mm) inside/outside, epoxy-baked, high temperature, voice coil assembly with neodymium magnetic structure
- Four recessed handles for simplified handling and carrying
- M20 Top hat for pole mounting applications
- Acetyl copolymer, high impact, low friction feet are located on bottom allowing lock-in and easy cabinet movement



Applications:

- Specifically designed to accompany and compliment DML500 distributed mode speakers to create a true full range high output system
- Fixed Installations
- Portable PA Applications
- Scales into Dual and Quad Systems

Specifications:

System (Single)

Frequency Range (-10dB)	30Hz-150Hz
Frequency Response (-6dB):	36Hz-100Hz
System Sensitivity:	100dB
Rated Maximum SPL:	138dB (peak)
System Nominal Impedance:	8 Ohms

System (Quad)

Frequency Range (-10dB)	30Hz-150Hz
Frequency Response (-6dB):	36Hz-100Hz
Rated Maximum SPL:	144dB (peak)
System Nominal Impedance:	8 Ohms

Power Handling (Each)

(Continuous/Program/Peak)	(1200W/2400W/3500W)
Recommended High Pass Filter:	32Hz (Butterworth, 4th Order)
Recommended Low Pass Filter:	100-120Hz (User Defined)

Drivers

Low Frequency Transducer:	18-inch Woofer
Voice Coil Diameter:	100mm
Magnetic Motor:	Neodymium

Acoustics:

Design Principle :	Bass Reflex / Horn Loaded Port
--------------------	--------------------------------

Physical

Cabinet Material:	Baltic Plywood
Input Connector:	Neutrik NL4
Product Dimensions (W x H x D):	700 x 622 x 763mm (27.56 x 24.47 x 30.04in)
Weight:	54.5kg (119.9lbs)

Hardware Attachment

Internal M10 "L" Bracket:	16 Locations
Pole Mount :	Top Mount M20

Shipping Dimensions

Shipping Dimensions:	860x 840 x 840mm (34 x 33 x 33in)
Shipping Weight:	65.9 Kg (145lbs)

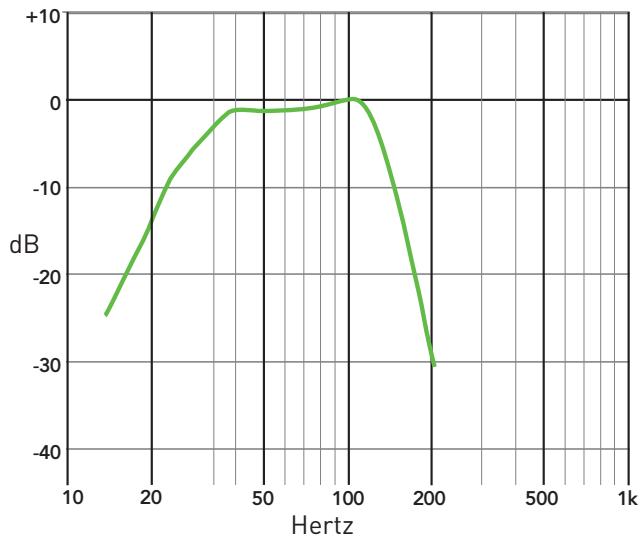
Tectonic Audio Labs continually engages in research related to product improvement. Specifications subject to change without notification

LS118

Single 18-inch Subwoofer System

Acoustic Response

Frequency Response



Measured using ground plane technique, microphone placed at 2 meters.

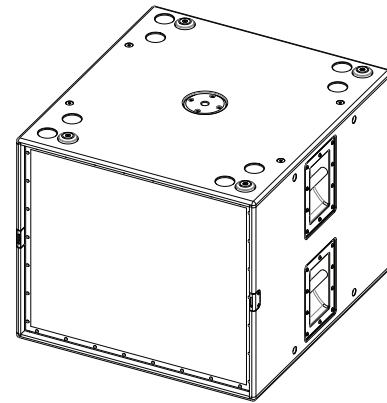
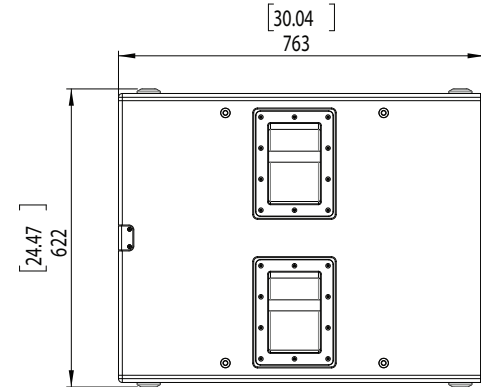
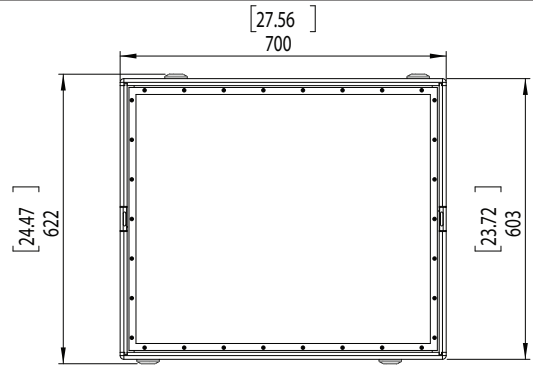
Recommended Filtering/Crossover: The following are the initial recommended acoustic filters as implemented for the LS118 ground plane measurement.

High Pass - Butterworth 4th Order (24dB) @ 30Hz

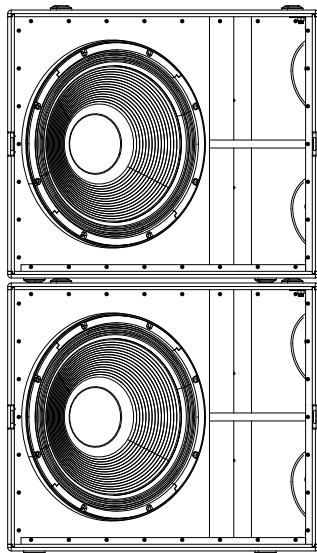
Peaking Filter - 35Hz / Q of 1.2 / Gain of 6dB

Low Pass Filter - Butterworth 4th Order (24dB) @ 100Hz

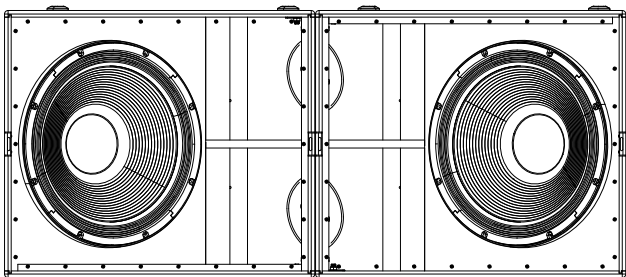
Accessories - Tectonic Audio Labs manufactures a variety of accessories and installation solutions for the LS118 allowing for seamless system integration.



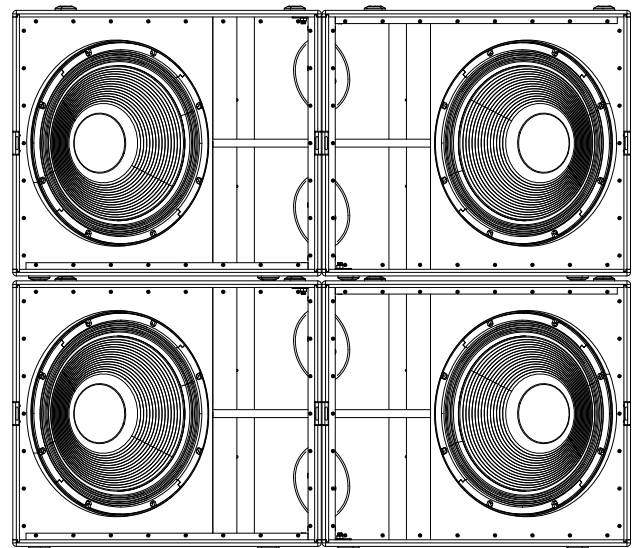
Dual Vertical Stack



Dual Horizontal Stack



Quad Stack



+1 425 686 7640 tel
+1 425 949 7447 fax

Tectonic Audio Labs
134th Avenue NE STE17
Woodinville, WA 98072
www.tectonicproaudio.com